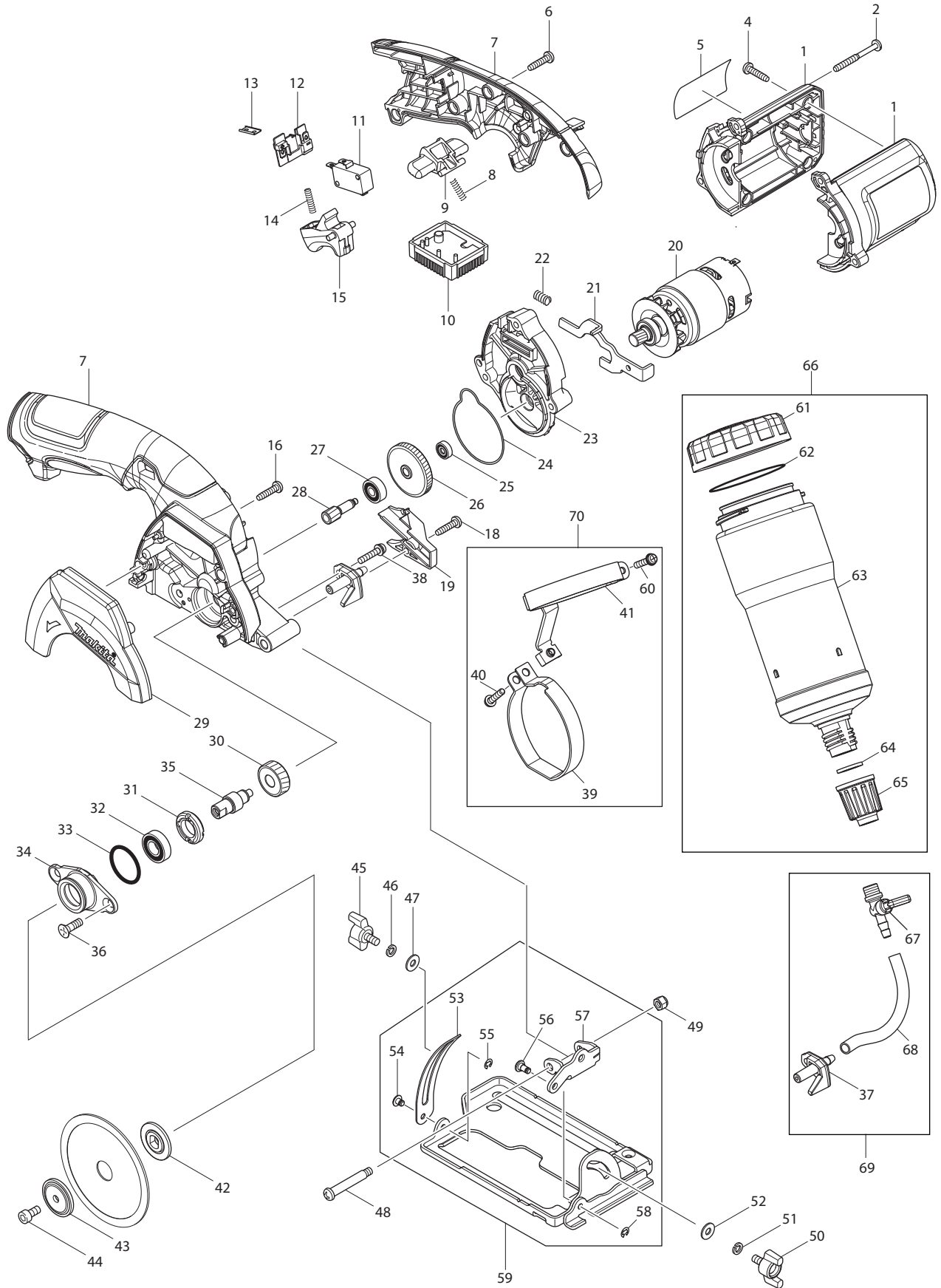




10 - 2011  
CC01 / CC01Z  
12V 3-3/8" CUTTER



Item No.	Type	Sub	Part No.	Description	Qty	Unit
1			187281-4	MOTOR HOUSING SET	1	SET
		INC.	890791-9	CAUTION LABEL (FR, SP)	1	PC.
2			266560-4	TAPPING SCREW 4X40	3	PC.
4			265995-6	TAPPING SCREW 4X18	4	PC.
5			896668-6	NAME PLATE F/CC01	1	PC.
6			265995-6	TAPPING SCREW 4X18	5	PC.
7			187282-2	HANDLE SET	1	SET
		INC.	263002-9	RUBBER PIN 4	1	PC.
8			231469-9	COMPRESSION SPRING 4	1	PC.
9			419664-3	LOCK OFF LEVER	1	PC.
10			638892-3	CONTROLLER UNIT	1	PC.
11			651891-8	SWITCH V-15-3A6 SINGLE	1	PC.
12			643830-2	TERMINAL	1	PC.
13			345998-7	SET PLATE	1	PC.
14			231469-9	COMPRESSION SPRING 4	1	PC.
15			419665-1	SWITCH LEVER	1	PC.
16			265995-6	TAPPING SCREW 4X18	2	PC.
18			265995-6	TAPPING SCREW 4X18	1	PC.
19			452234-5	DUCT	1	PC.
20			629885-1	DC MOTOR	1	PC.
21			346337-4	SHAFT LOCK	1	PC.
22			233117-6	COMPRESSION SPRING 6	1	PC.
23			140625-9	GEAR HOUSING COMPLETE	1	PC.
		INC.	213325-5	O RING 19	1	PC.
24			424358-7	PACKING	1	PC.
25			210036-3	BALL BEARING 604ZZ	1	PC.
26			227737-6	HELICAL GEAR 47	1	PC.
27			210028-2	BALL BEARING 606ZZ	1	PC.
28			227735-0	HELICAL GEAR 9B	1	PC.
29	1		452243-4	* BLADE COVER	1	PC.
	2		454833-9	* BLADE COVER	1	PC.
30			227736-8	HERICAL GEAR 28	1	PC.
31			285847-5	BEARING RETAINER 14-23	1	PC.
32			210069-8	BALL BEARING 6900DDW	1	PC.
33			213435-8	O RING 26	1	PC.
34			318660-7	BEARING BOX	1	PC.
35			325983-6	SPINDLE	1	PC.
36			265034-2	+ COUNTERSUNK HEAD SCREW M5X16	2	PC.
37			453555-8	NOZZLE	1	PC.
38			911138-5	PAN HEAD SCREW M4X20	1	PC.
39			346578-2	BAND B	1	PC.
40			911138-5	PAN HEAD SCREW M4X20	1	PC.
41			346579-0	TANK HOLDER	1	PC.
42			224435-3	INNER FLANGE 28	1	PC.
43			224177-9	OUTER FLANGE 28	1	PC.
44			922212-4	HEX. SOCKET HEAD BOLT M5X12	1	PC.
45			265760-3	THUMB SCREW M5X10	1	PC.
46			942101-7	SPRING WASHER 5	1	PC.
47			941101-4	FLAT WASHER 5	1	PC.
48			265056-2	+ PAN HEAD SCREW M5	1	PC.
49			252103-8	HEX. LOCK NUT M5-8	1	PC.
50			265760-3	THUMB SCREW M5X10	1	PC.
51			942101-7	SPRING WASHER 5	1	PC.
52			941101-4	FLAT WASHER 5	1	PC.
53			346587-1	DEPTH GUIDE	1	PC.
54			268004-0	PIN 4	1	PC.
55			961017-7	STOP RING E-3	1	PC.
56			268028-6	PIN 5	1	PC.
57			346586-3	ANGULAR GUIDE	1	PC.
58			961017-7	STOP RING E-3	1	PC.
59			135503-6	BASE ASS'Y	1	PC.
		INC.		Item No. 53-58		

Item No.	Type	Sub	Part No.	Description	Qty	Unit
60			911138-5	PAN HEAD SCREW M4X20	1	PC.
61			453557-4	CAP B	1	PC.
62			213605-9	O RING 50	1	PC.
63			453556-6	WATER SUPPLY TANK	1	PC.
64			261056-0	RUBBER WASHER 12	1	PC.
65			453554-0	CAP A	1	PC.
66			187277-5	WATER SUPPLY TANK SET	1	PC.
		INC.		Item No. 61-65		
67			152536-6	WATER SUPPLY COCK COMPLETE	1	PC.
68			412107-4	VINYL TUBE 5	1	PC.
69			187278-3	WATER SUPPLY COCK SET	1	PC.
		INC.		Item No. 37,67,68		
70			187276-7	TANK HOLDER SET	1	PC.
		INC.		Item No. 39-41,60		
C01			872840-4	CARTON FOR CC01	1	PC.
C01A			872839-9	CARTON FOR CC01Z	1	PC.
<b><u>ACCESSORIES</u></b>			<b>- See catalogue or visit <a href="http://www.makita.ca">www.makita.ca</a> for more optional accessories -</b>			
A01			783202-0	HEX. WRENCH 4	1	PC.
A02			A-95722	DIAMOND WHEEL 85MM RIM WET	1	PC.
A03			DC10WB	CHARGER DC10WB	1	PC.
A04			195332-9	12V MAX LI-ION BATTERY BL1014	2	PC.

**SERVICE CHANGES**

**1. Changes on Blade Cover**

Item No.	Description	Type 1	Type 2
29	Blade cover	452243-4	454833-9

 (TI#A2264)

Implementation: From Nov 2013 production

